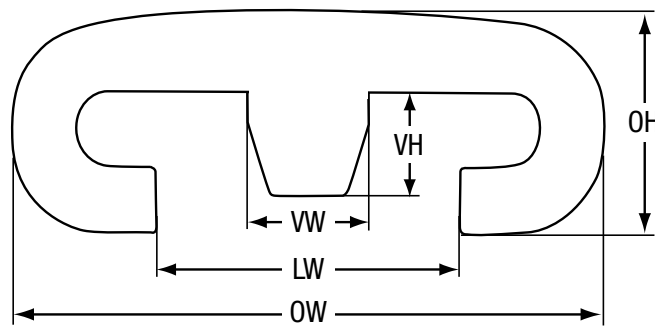


Handrail Measuring

Use the diagram and size chart below as a guide in determining handrail style.

Cross Section



LW- Lip Width
OW- Overall Width
OH- Overall Height
VW- Vee Width
VH- Vee Height

Handrail Style	Manufacturer	LW		OW		OH		VW		VH	
		Inches	Millimeters	Inches	Millimeters	Inches	Millimeters	Inches	Millimeters	Inches	Millimeters
7500	Otis, Thyssen, Sumitomo, SJEC, CNIM	1 9/16	39	2 15/16	75	1 1/8	28				
7500V	Otis, Thyssen, Sumitomo, CNIM	1 9/16	39	2 15/16	75	1 1/8	28	5/8	15.5	1/2	13
7800	Montgomery, O&K, KONE, Hitachi, Thyssen, Mitsubishi	1 1/2	38	3 1/8	80	1 1/8	28				
7800V	Montgomery, O&K, KONE	1 1/2	38	3 1/8	80	1 1/8	28	5/8	15.5	1/2	13
8000	Westinghouse, Hyundai, Fujitec, Mitsubishi, Dong Yang, Schindler, SJEC, Otis	1 9/16	39	3 1/8	80	1 1/8	28				
8100	Fujitec, LGIS, Hitachi, SJEC	1 5/8	41	3 1/4	82	1 5/16	33				
8100S	Schindler	1 5/16	33	3 1/4	82	1 5/16	33				
8300	Otis, Mitsubishi, Hitachi, Toshiba, Dong Yang, CNIM, Fujitec	1 9/16	39	3 1/4	82	1 3/8	35				
8300V	Westinghouse, Westmount, Haughton	1 9/16	39	3 1/4	82	1 3/8	35	5/8	15.5	11/16	18
8900	Montgomery, KONE, O&K, Thyssen, Vickers	1 11/16	42	3 1/2	89	1 3/8	35				
8900V	Montgomery, KONE, O&K, Thyssen, Vickers	1 11/16	42	3 1/2	89	1 3/8	35	5/8	15.5	11/16	18